

TYPICAL APPLICATIONS

Multi-fixture potable water installations.
Other uses may include 12 VDC pressurized water systems. This pump may be used for water transfer.
For other applications, contact SHURflo.

PUMP

Type	5 Chamber Diaphragm
Ports	Quick-Connect
Liquid	130 °F [54 °C] Max
Prime	9 feet [2.7 M]
Inlet PSI	30 PSI [2.1 Bar] Max
Run Dry	Yes
Fittings	1/2"-14 NASPT Dual O-ring included 1/2", 3/4" Barb available (straight & elbow)

Extreme™ Smart Sensor 5.7



ELECTRICAL

Motor	12VDC Permanent Magnet, Intermittent Duty
Protection	Thermal Overload, Automatic Restart
Leads	14 AWG, 16" [40 cm] Red +, 13" [33 cm] Black -
Fuse	15 Amp Recommended
Control	Microprocessor PWM Pressure Transducer
Shut-Off	Voltage Variant, Factory Set at 65 PSI [4.4 Bar] @ 12 VDC ± 5 PSI [.4 Bar]

MATERIALS

Housing	Nylon
Valves	EPDM
Diaphragm	Santoprene
Hardware	Stainless Steel

APPROVALS

IAPMO, c-UL, CE

LIMITED WARRANTY

3 Year Limited Warranty
See SB-1041 & MS-030-123 For Details

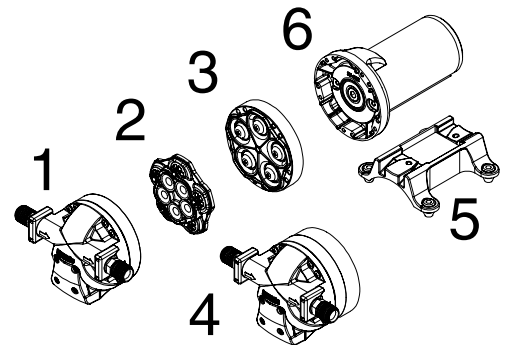
SHIPPING

Net Weight (Boxed)	8.8 Lb [4 Kg] each
Carton Weight	6 each, 53 Lb [24 Kg]
Carton Size	25"L x 20"W x 7"H [64cm x 51cm x 18cm]

RELATED DOCUMENTS

Catalog	MS-030-083
Installation Manual	911-594
Maintenance	911-594
Applications Spec Guide	MS-020-005
Warranty	SB-1041/MS-030-123

Component Exploded View

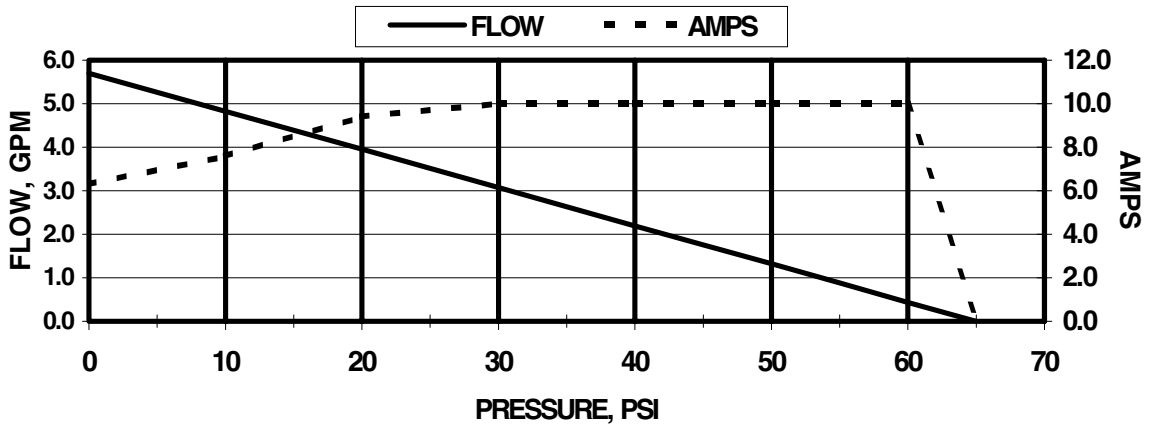


Parts Kits (now available)

#	Kit Description	Kit Number
2	Valve Assembly	94-030-01
3	Diaphragm/Drive Assembly	94-030-02
Fitting Kits with Clips		
	1/2" Elbow Barb (2)	94-615-00
	1/2" Straight Barb (2)	94-615-01
	3/4" Straight Barb (2)	94-615-04
	3/4" Elbow Barb (2)	94-615-05
	1/2"-14 NASPT (2)	94-615-06

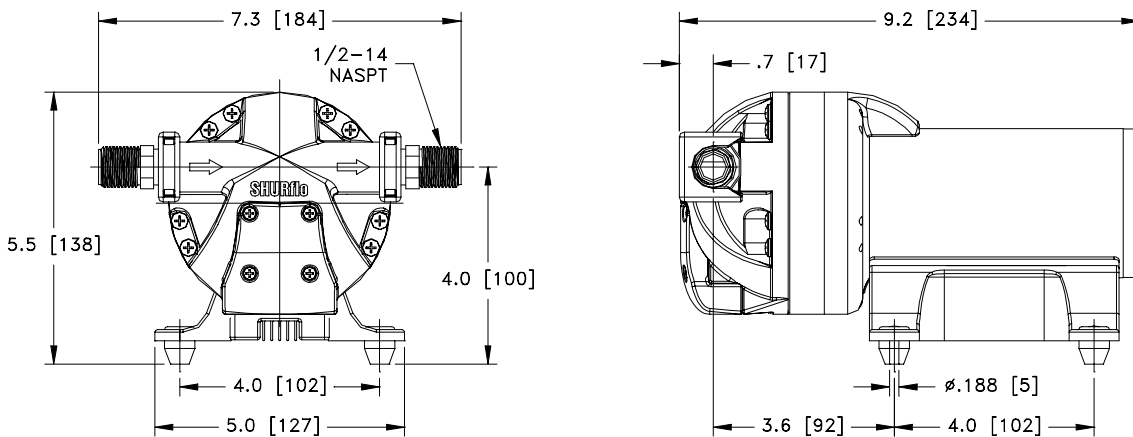
Typical Performance

PRESSURE		FLOW		CURRENT
BAR	PSI	GPM	LPM	AMPS
0.0	0	5.7	21.5	6.3
0.7	10	4.8	15.9	7.6
1.4	20	3.9	14.3	9.4
2.1	30	3.1	12.4	10.0
2.8	40	2.2	9.0	10.0
3.4	50	1.3	6.4	10.0
4.1	60	.44	4.9	10.0



Actual flows will vary depending on system configurations

Typical Dimensions (with fitting)



* ISO Registered Facility



SHURflo reserves the right to update specifications, prices, or make substitutions.

SHURflo ★
5900 Katella Ave.
Cypress, CA 90630
(800) 854-3218 (562) 795-5200
FAX (562) 795-7554
www.shurflo.com

SHURflo East
52748 Park Six Court
Elkhart, IN 46514-5427
(800) 762-8094
(574) 262-0478
FAX (574) 264-2169
© 2003 All Rights Reserved

SHURflo Ltd.
Unit 5 Sterling Park
Gatwick Road, Crawley
West Sussex, RH10 2QT
United Kingdom
+44 1293 424000
FAX +44 1293 421880